

User Manual

IR-1SP Micro



Introduction

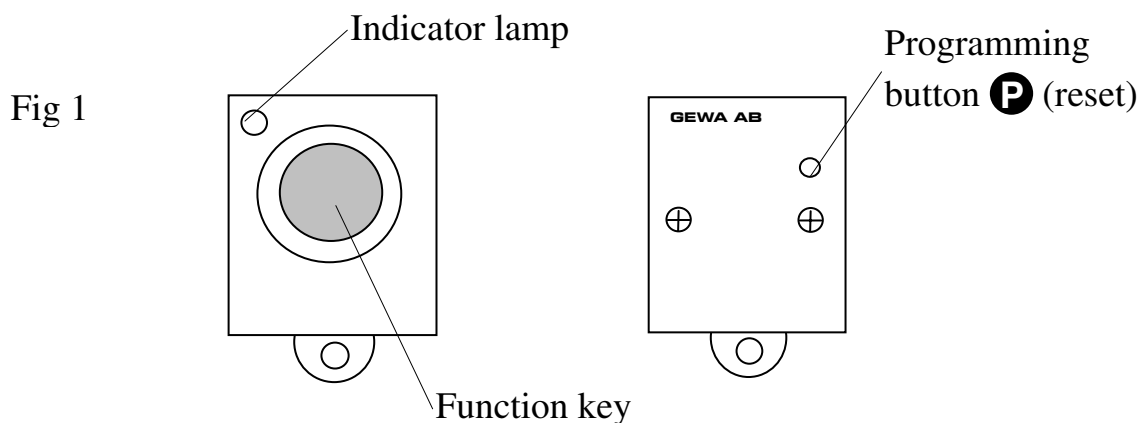
IR-1SP Micro is a programmable IR transmitter, which can learn one channel from another remote control for TV, VCR, stereo etc. IR-1SP Micro is a part of the Gewa "Smart House" concept and can therefore be used together with the complete range.

General information about IR-1SP Micro

Before using the IR-1SP Micro there are certain things you should know.

- On delivery the GewaLink channel (channel 16) is factory programmed, this means that it is possible to use the transmitter as soon as a battery has been inserted. See section "Inserting the Battery".
- For programming press the programming button (using a pen tip or other narrow object) **at the same time** as you press a function key.
- If you press the wrong key or make a mistake during programming you can press the programming button **P** to reset.
- It is important not to wait too long between the different steps in the programming mode. After a certain time the IR-1SP Micro automatically leaves the programming state to save power.
- 3.0 as a superscript indicates the IR-1SP Micro version.

Figure 1 shows various terms and functions, which will be found in the text.



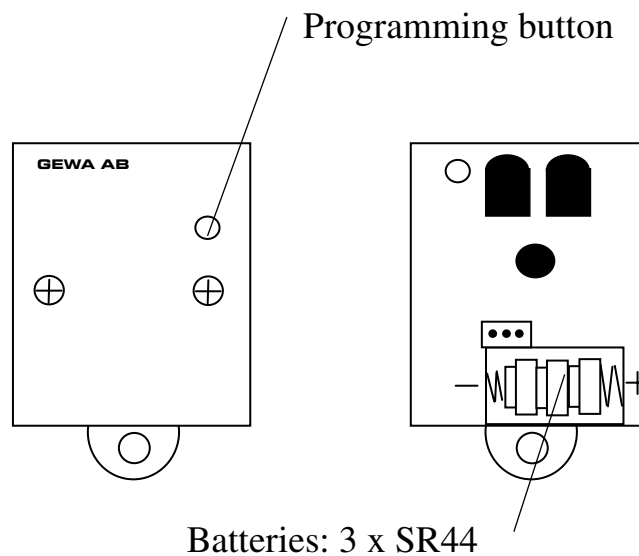
The following symbols will occur in the text:

- P** = Programming button
- O** = Function key on the IR-1SP Micro
- Y** = Any transmitter key to be learned

Inserting batteries

Unscrew the screws holding the bottom of the IR-1SP Micro using a Phillips screwdriver. Remove the bottom and insert three 1.5V silver oxide batteries type SR44. Insert the batteries according to the markings on the bottom of the battery compartment. Be sure to observe the polarity! It is important to use specified batteries for maximum transmission range. When you have inserted the new batteries, **press the programming button** on the underside.

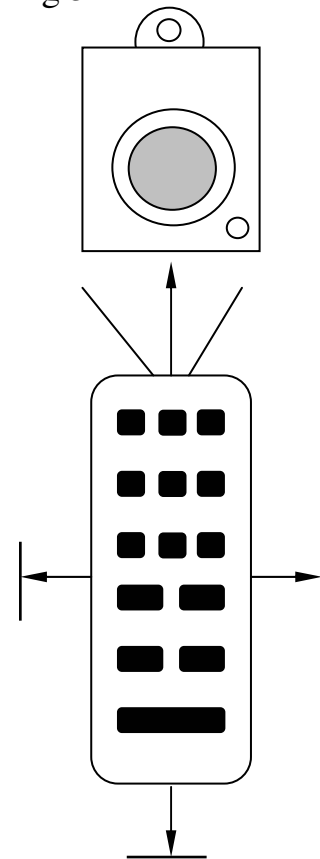
Fig 2



Replicating Channels from another Transmitter

1. Make sure the batteries in both transmitters have full capacity. Do not expose the transmitters to direct light (e.g. sunlight) during programming.
2. Press the programming button and the function button at the same time.
3. Place the original transmitter facing the front of IR-1SP Micro (fig 3).

Fig 3



To check that the transmitters are in the right position, keep any key pressed on the original transmitter and move the original transmitter to the left and right until the indicator lamp goes out. Then move the original transmitter backwards until the indicator lamp goes out (one metre for some transmitters). Place the original transmitter at the centre of these maximum range positions. Certain types of transmitters only emit a short flash each time the key is pressed. In these cases, press several times.

4. Press and release the key on the IR-1SP Micro. The indicator lamp now emits a steady red light.
5. Choose a key on the original transmitter, press it and keep it pressed, this programmes the signal into the IR-1SP. Release the key when the indicator lamp goes out. It might take up to 10 seconds. If the indicator lamp turns red again then press the key again until it goes out.
6. Now test the programmed functions on the target device.

Programming: **P** + **O**, **O**, **Y**

^{3.0} **Tip!** IR-1SP Micro can record codes from most IR transmitters on the market with a few exceptions. You may have problems with a few or all of the functions for a certain IR transmitter. In these cases it is possible to use another recording method. Instead, do as follows in step 2; Press the programming button and the

function button (A) at the same time but keep them pressed for approximately 2 seconds. IR-1SP Micro is now in another recording mode. Otherwise use the same recording procedure.

Mounting

IR-1SP Micro can be used hanging on a strap around the neck. Remove the string lock from the neck strap and pass the neck strap through the attachment loop on the transmitter. Replace the string lock and adjust the length of the neck strap.

Warning!

The string lock is a safety detail for the prevention of strangling. Check that the neck strap ends can easily be drawn out if the transmitter gets caught on something. Never make knots on the neck strap!

IR-1SP Micro can also be equipped with clips (article number 401130) which make it possible to attach it to a belt or pocket. Clips can be obtained from Gewa AB or a Gewa retailer.

Data Communication

If IR-1SP Micro is connected to a PC it is possible to change settings such as delay time ON, delay time OFF and change to another GewaLink channel. You can also back-up the information to the computer. To make a back-up possible the program Gewa Prog III Utility must be installed. Program and data cable can be ordered from Gewa AB or a Gewa retailer. Do the following to connect:

1. Using a Phillips screwdriver, remove the bottom part of IR-1SP Micro by loosening the screws.
2. Connect the data cable (article no 406918) between the socket on the IR-1SP Micro printed circuit board and the COM port of the PC.
3. Open the program Gewa Prog III Windows Utility on the PC.
4. Change the different settings.

Cleaning

To clean IR-1SP, wet a cloth in a weak solution of washing up liquid and water, wring out thoroughly and wipe.

Where to use Gewa IR-1SP Micro

IR-1SP Micro is designed for indoor and outdoor environments. Whilst it will withstand the effect of a light shower it is not waterproof and should be kept as dry as possible. If IR-1SP gets wet it should not be used until it has dried out thoroughly.

Accessories

Accessories Accompanying IR-1SP Micro

Art. no	Denomination	Description	Qty
890400	Neck strap	Allows IR-1SP Micro to be carried around the neck	1

Other IR-1SP Micro Accessories

Art. no	Denomination	Description
8383	Battery SR44	Battery 1.5 V Silver oxide
401130	Clip	To attach IR-1SP Micro to a belt
406918	Data cable 3-pole JST/D-sub 9	Cable for connecting IR-1SP Micro /PC (serial port)
424304	Data disc	Gewa Prog III Utility

Technical Data

Power consumption (stand-by):	Approx. 10 μ A
Power consumption (transmitting):	Approx. 10 mA (GewaLink-channel)
Battery life:	Approx. 1 year (transmission time approx. 30 seconds/day using GewaLink channels)
Key force:	Approx. 1.7 N (170 gr.)
Range:	10-15 m (GewaLink channels)
Measurements (L x W x H):	51 x 36 x 16 mm
Weight (batteries excluded):	25 gr.
Operating temperature (not valid for batteries):	-20° – +45°C
Product life:	6 years

Conformity with the Medical Devices Directive

IR-1SP Micro is marketed as a technical aid for people with disabilities and meets the requirements in Medical Devices Directive 93/42/EEC including relevant EMC and electrical safety requirements.



Gewa AB

BOX 92, SE-191 22 SOLLENTUNA, SWEDEN

TEL: +46 (0)8-594 694 00 • TEXTTEL: +46 (0)8-594 694 18 • FAX: +46 (0)8-594 694 19

E-MAIL: info@gewa.se • WEB: www.gewa.se